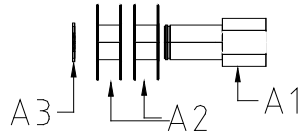


BT700 MODEL

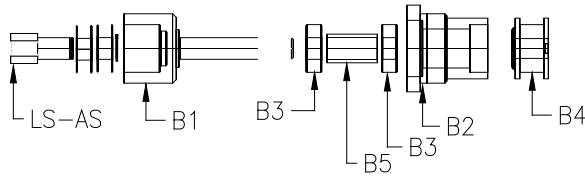
U-SAND FLOOR SANDER BT700 MODEL PARTS LIST

LS-AS LOWER SHAFT ASSEMBLY



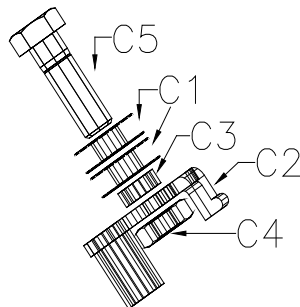
- A1 Lower Shaft (US104-146) (1)
- A2 Bearings (HW-BRG) (2)
- A3 Snap Ring (HW-ESR) (1)

SP-AS-7 SPINDLE ASSEMBLY



- LS-AS (1)
- B1 Main Shaft (US103-146-7) (1)
- B2 Spindle Housing (US101-146-7) (1)
- B3 Bearings (HW-BRG) (2)
- B4 Spindle Pulley (US106-146-7) (1)
- B5 Upper Shaft Bearing Spacer (us105-146)(1)
- B6 Bearing (Bearing-7) (1)

BT-AS BELT TENSION ASSEMBLY

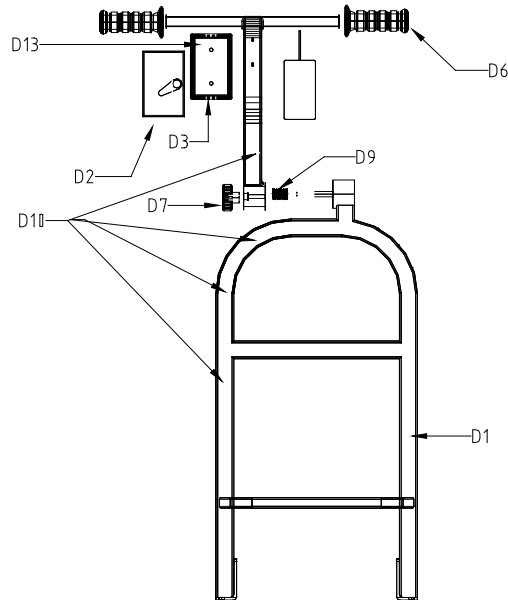


- C1 Bearing (HW-BRG) (2)
- C2 Belt Tensioner (SK-020605-01) (1)
- C3 Belt Tension Sub(US-148) (1)

C4 HW-HCS5/8
C5 HW-HN11

U-SAND FLOOR SANDER
BT700 MODEL
PARTS LIST

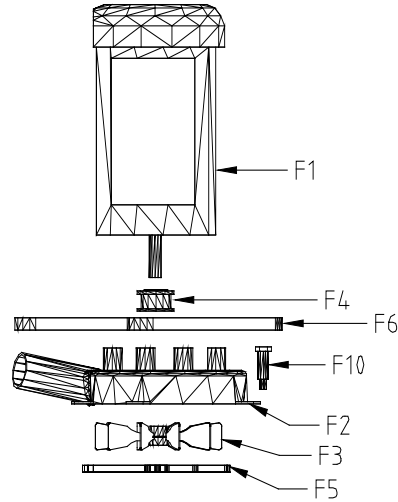
HA-AS-7 HANDLE ASSEMBLY



- D1 Handle Unit Sub (HAASY)
- D2 Switch (US119-146-7SWITCH) (1)
Cover (US119-146-7COVER) (1)
- D3 Switch Box (US120-146) (1)
- D4 43" Yellow Cord (PC-146B-7)(1)
- D5 17" Yellow Cord (PC-146S-7) (1)
- D6 Rubber Grips (US114-146) (2)
- D7 Knob for handle pivot (US142-146) (1)
- D8 Cord Restraint (US134-146) (2)
- D9 1" Spring (HW-SP1) (1)
- D10 Motor Clamp (HW-1/2 RL Clamp) (4)
- D11 Cap Screws (HW-CS1/4) (8)
- D12 Wire Nuts (HW-WN) (1)
- D13 Spade for Elec Box (HW-SPADE) (1)

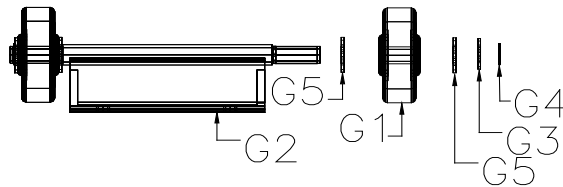
**U-SAND FLOOR SANDER
BT700 MODEL
PARTS LIST**

MT-AS-7 MOTOR ASSEMBLY



- F1 Motor 3HP (Motor 3HP) (1)
- F2 Fan Housing (CH103-146) (1)
- F3 Impeller/Hub (MT-AS1) (1)
- F4 Motor Pulley (US116-146-7) (1)
- F5 Gasket (US-152) (1)
- F6 Belt (PCB-146) (1)
- F7 Cap Screw-Blower/Motor (HW-CS3/8) (4)
- F8 Cap Screw-Impeller (HW-CS5/16) (1)
- F9 Pulley Set Screw (HW-SS) (1)
- F10 Spring Bolt-Blower (HW-3/8 Spring Bolt) (1)
- F11 Wire Nuts (HW-WN) (3)

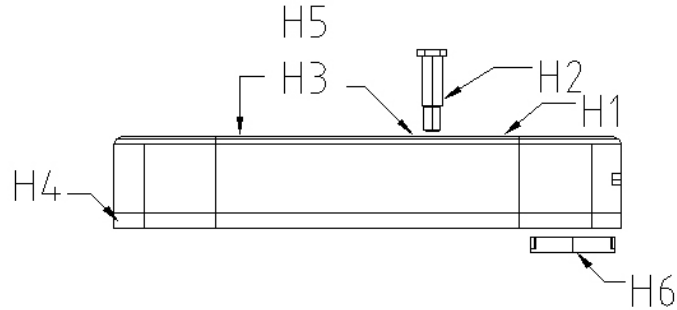
WH-ASP WHEEL ASSEMBLY



- G1 3.5" Grey Wheels (WH-146P) (2)
- G2 Wheel Bracket/Axle (Wh-AS1) (1)
- G3 Wave Spring (HW-WS) (2)
- G4 External Snap Ring (HW-ESR) (2)
- G5 Flat Washer (HW-W1) (4)

U-SAND FLOOR SANDER
BT700 MODEL
PARTS LIST

DP-AS-7 DECK PLATE



- H1 Base Plate (CH101-146-7) (1)
- H2 Counter Weight (US132-146) (1)
- H3 Belt Tension Bolt (US-150) (1)
- H4 Hex Cap Screw (HW-HCS) (2)
- H5 Dust Skirt Attached (US115-146B) (1)
- H6 Lock Washer (HW-LW) (2)
- H7 Spindle Housing Nut (US102-146) (4)

BT700 SANDER

- Nuisance Tag (US-143) (1)
- American Flag (LABL-FLAG) (1)
- Rivets (HW-RVT) (10)
- Orange Bag Safety (US148) (1)
- Belt Cover (CH02-146-7) (1 set 2 pc)
- Motor Clamps Cap Screws (HW-CS1/4) (6)
- Flat Washer (Hw-FW/16) (6)
- Lock Nut-Motor (HW-CLN) (1)
- Cord Restraint (US134-146) (1)
- Flat Washer (HW-FW3/8) (4)
- spring (HW-SP3/4) (2)

ACCESSORY ITEMS BT700

- Dust Skirt (US115-146) (1)
- Backer Pads (BP6) (4)
- 50' Yellow Cord (PC-146-FLP-7) (1)